

EOP400-DR4

400G OSFP DR4 Optical Transceiver

PRODUCT FEATURES

- Compliant with IEEE 802.3bs and OSFP MSA
- Four Parallel 1310nm Optical Lanes
- 8*53.125Gbps (PAM4) Electrical Interface (400GAUI-8), 4*106.25Gbps (PAM4)
- MPO-12 Receptacle
- Up to 500m Transmission on Single Mode Fiber (SMF)
- DDM function implemented
- Hot-pluggable
- Compatible with CMIS 4.0 I2C Int
- Maximum power consumption 12W
- Single +3.3V power supply
- Case temperature range: 0 ~ +70C
- RoHS 2.0 complaint

APPLICATIONS

- 400G Ethernet
- Data Center Interconnect
- Enterprise Networking

Description

This product is an 400Gb/s Octal Small Form-factor Pluggable (OSFP) optical module without integrated heat sink designed for 500m with single mode fiber optical communication applications. The module converts 4 channels of 100Gb/s (PAM4) electrical input data to 4 channels of parallel optical signals. Reversely, on the receiver side, the module converts 4 channels of parallel optical signals of 100Gb/s into 4 channels of 100Gb/s (PAM4) electrical output data.

MPO-12 connector can be plugged into the OSFP112 DR4 module. Proper alignment is ensured by the guide pins inside the receptacle. The cable usually cannot be twisted for proper channel to channel alignment. Electrical connection is achieved through an OSFP MSA-compliant edge type connector.

I2C interface is supported to read and control the status of this product.

Figure 1 shows the transceiver block diagram

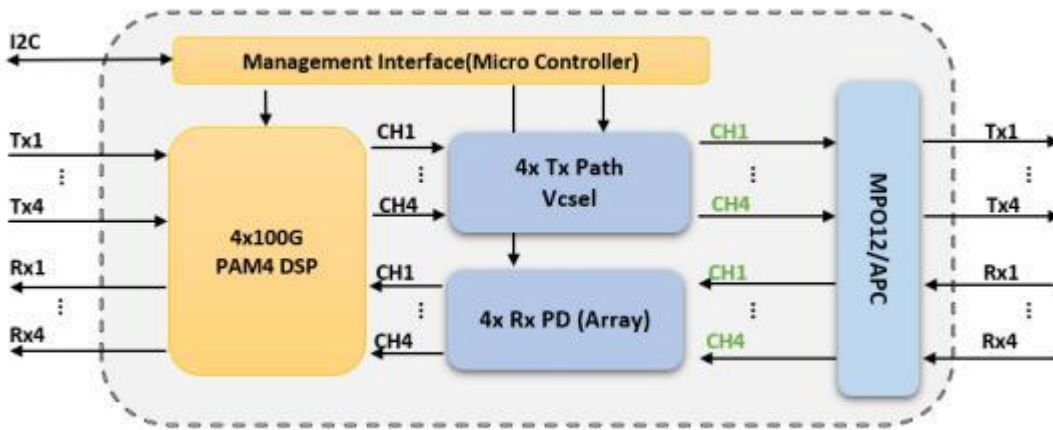


Figure 1. Transceiver Block Diagram

I、Key Features

The transceiver complies with common management interface specification (CMIS). The supported key features listed below allow host software to read and control the transceiver status through I2C.

- Adaptive Tx input equalization
- Programmable Rx output amplitude
- Programmable Rx output pre-cursor
- Programmable Rx output post-cursor
- Supply voltage monitoring (DDM_Voltage)
- Transceiver case temperature monitoring (DDM_Temperature)
- Tx transmit optical power monitoring for each lane (DDM_TxPower)
- Tx bias current monitoring for each lane (DDM_TxBias)
- Rx receive optical power monitoring for each lane (DDM_RxPower)
- Warning and alarm indication for each DDM function
- Tx & Rx LOL and LOS indication
- Tx fault indication
- Host and line side loopback capabilities
- Host and line side PRBS generator and checker capabilities

- CDB firmware upgrade capability
- Versatile diagnostics monitoring (VDM) capability (optional, additional power consumption increase)
- Other functions defined in CMIS

II、 Applications

The transceiver is designed for Ethernet, Telecom and Infiniband use cases. The application advertisements listed below allow host software to select proper application following CMIS definition

- Application case 1, 1x400G DR4, 1 of 400G per port point to point connections.
- Application case 2, 4x100G DR, 4 of 100G per channel breakout connections.

Table 1 shows CMIS application advertisements list:

Table 1. CMIS Application advertisements

ApSel Code	Host Electrical Interface	Module Media Interface	Host and Media Lane Count	Host Lane Assignment
ApSel 1	4F(400GAUI-4-S C2M)	1C (400GBASE-DR4)	44 (4:4)	01 (lanes 1)
ApSel 2	4B(100GAUI-1-S C2M)	14(100GBASE-DR)	11 (1:1)	0F (lanes 1,2,3,4)
ApSel 3	32 (IB NDR)	1C (400GBASE-DR4)	44 (4:4)	01 (lanes 1)

III、 Pin Map and Description

The electrical interface of OSFP module consist of a 60 contacts edge connector as illustrated by the diagram in Figure 2, which defined in Clause 8.1 of OSFP MSA Specification.

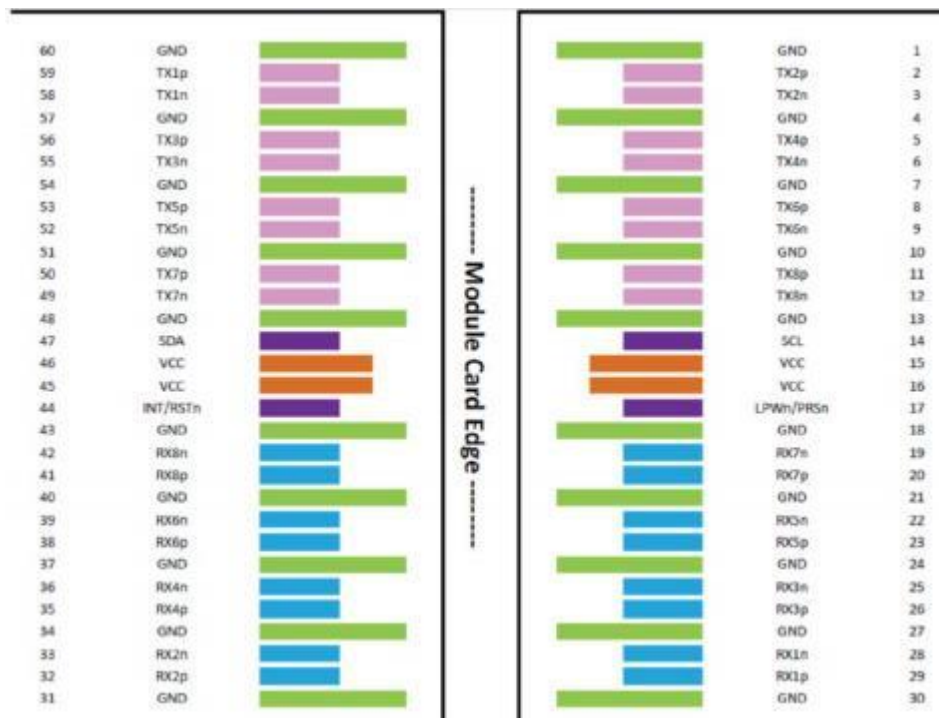


Figure 2. MSA Compliant Connector

Table 2 shows the detailed pin list

Table 2 OSFP connector pin list

Pin#	Symbol	Description	Logic	Direction	Plug Sequence
1	GND		Ground		1
2	TX2p	Transmitter Data Non-Inverted	CML-I	Input from Host	3
3	TX2n	Transmitter Data Inverted	CML-I	Input from Host	3
4	GND		Ground		1
5	TX4p	Transmitter Data Non-Inverted	CML-I	Input from Host	3
6	TX4n	Transmitter Data Inverted	CML-I	Input from Host	3
7	GND		Ground		1
8	TX6p	Transmitter Data Non-Inverted	CML-I	Input from Host	3
9	TX6n	Transmitter Data Inverted	CML-I	Input from Host	3
10	GND		Ground		1
11	TX8p	Transmitter Data Non-Inverted	CML-I	Input from Host	3
12	TX8n	Transmitter Data Inverted	CML-I	Input from Host	3
13	GND		Ground		1
14	SCL	2-wire Serial interface clock	LVC MOS-I/O	Bi-directional	3
15	VCC	+3.3V Power		Power from Host	2
16	VCC	+3.3V Power		Power from Host	2
17	LPWn/PRSn	Low-Power Mode / Module Present	Multi-Level	Bi-directional	3
18	GND		Ground		1
19	RX7n	Receiver Data Inverted	CML-O	Output to Host	3
20	RX7p	Receiver Data Non-Inverted	CML-O	Output to Host	3
21	GND		Ground		1
22	RX5n	Receiver Data Inverted	CML-O	Output to Host	3
23	RX5p	Receiver Data Non-Inverted	CML-O	Output to Host	3
24	GND		Ground		1
25	RX3n	Receiver Data Inverted	CML-O	Output to Host	3
26	RX3p	Receiver Data Non-Inverted	CML-O	Output to Host	3
27	GND		Ground		1
28	RX1n	Receiver Data Inverted	CML-O	Output to Host	3
29	RX1p	Receiver Data Non-Inverted	CML-O	Output to Host	3
30	GND		Ground		1
31	GND		Ground		1
32	RX2p	Receiver Data Non-Inverted	CML-O	Output to Host	3
33	RX2n	Receiver Data Inverted	CML-O	Output to Host	3
34	GND		Ground		1
35	RX4p	Receiver Data Non-Inverted	CML-O	Output to Host	3
36	RX4n	Receiver Data Inverted	CML-O	Output to Host	3
37	GND		Ground		1
38	RX6p	Receiver Data Non-Inverted	CML-O	Output to Host	3
39	RX6n	Receiver Data Inverted	CML-O	Output to Host	3

40	GND		Ground		1
41	RX8p	Receiver Data Non-Inverted	CML-O	Output to Host	3
42	RX8n	Receiver Data Inverted	CML-O	Output to Host	3
43	GND		Ground		1
44	INT/RSTn	Module Interrupt / Module Reset	Multi-Level	Bi-directional	3
45	VCC	+3.3V Power		Power from Host	2
46	VCC	+3.3V Power		Power from Host	2
47	SDA	2-wire Serial interface data	LVCMOS-I/O	Bi-directional	3
48	GND		Ground		1
49	TX7n	Transmitter Data Inverted	CML-I	Input from Host	3
50	TX7p	Transmitter Data Non-Inverted	CML-I	Input from Host	3
51	GND		Ground		1
52	TX5n	Transmitter Data Inverted	CML-I	Input from Host	3
53	TX5p	Transmitter Data Non-Inverted	CML-I	Input from Host	3
54	GND		Ground		1
55	TX3n	Transmitter Data Inverted	CML-I	Input from Host	3
56	TX3p	Transmitter Data Non-Inverted	CML-I	Input from Host	3
57	GND		Ground		1
58	TX1n	Transmitter Data Inverted	CML-I	Input from Host	3
59	TX1p	Transmitter Data Non-Inverted	CML-I	Input from Host	3
60	GND		Ground		1

Table 3 shows the detailed control pins

Table 3. OSFP Control pins

Name	Direction	Description
SCL	BiDir	2-wire serial clock signal. Requires pull-up resistor to 3.3V on host
SDA	BiDir	2-wire serial data signal. Requires pull-up resistor to 3.3V on host.
LPWn/PRSn	Input/Output	Dual Function Signal . Low Power mode is an active-low input signal . Module Present is controlled by a pull-down resistor on the module which gets converted to an active-low output logic signal Voltage zones is shown as figure3.
INT/RSTn	Input/Output	Dual Function Signal . Reset is an active-low input signal . Interrupt is an active-high output signal Voltage zones is shown as figure 3.

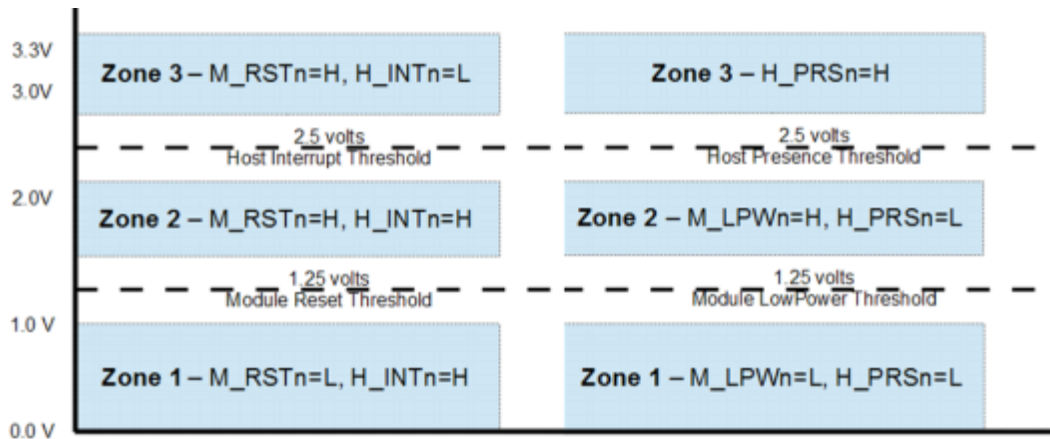


Figure 3. Voltage Zones

Figure 4 shows the recommended power supply filter design

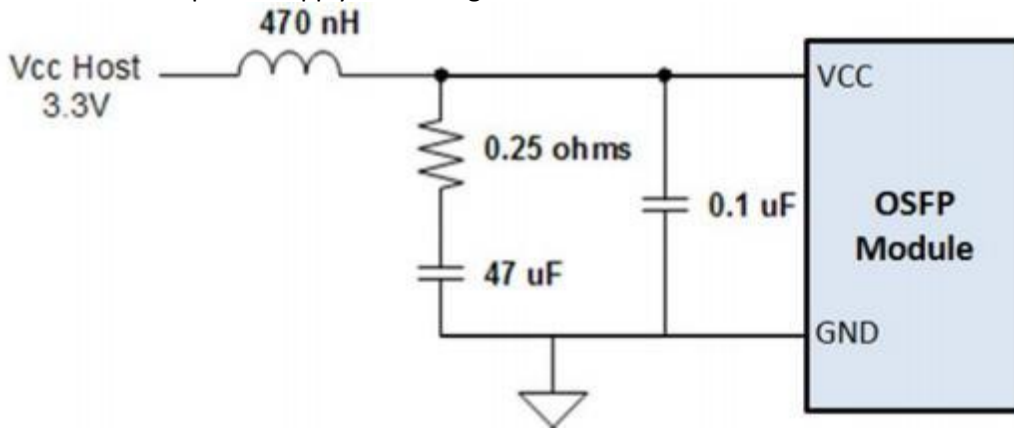


Figure 4. Recommended Power Supply Filter

IV、Optical Port Description

The optical interface port is MPO-12 receptacle. The transmit and receive optical lanes shall occupy the positions depicted in Figure 5 when looking into the MDI receptacle with the connector keyway feature on top

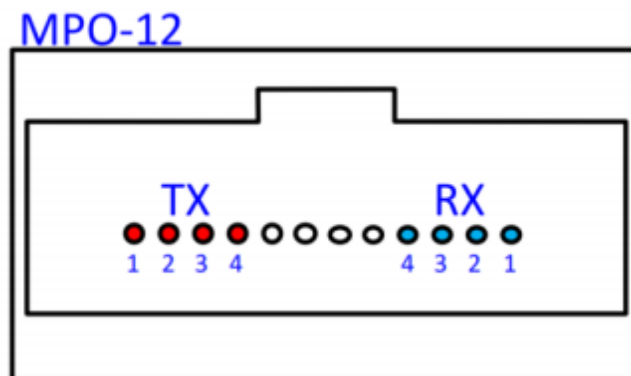


Figure 5. Optical Media Dependent Interface port assignments

VI、 Specification

1. Absolute Maximum Ratings

It has to be noted that the operation in excess of any individual absolute maximum ratings might cause permanent damage to this module.

Parameter	Symbol	Min	Max	Units	Notes
Storage Temperature	T _s	-40	85	degC	
Operating Case Temperature	T _{OP}	0	70	degC	
Power Supply Voltage	V _{CC}	-0.5	3.6	V	
Relative Humidity (non-condensation)	RH	0	85	%	

2. Recommended Operating Conditions

Parameter	Symbol	Min	Typical	Max	Units	Notes
Operating Case Temperature	T _{OP}	0		70	degC	
Power Supply Voltage	V _{CC}	3.135	3.3	3.465	V	
Data Rate, each Lane			53.125		GBd	PAM4
Data Rate Accuracy		-100		100	ppm	
Pre-FEC Bit Error Ratio				2.4x10 ⁻⁴		
Post-FEC Bit Error Ratio				1x10 ⁻¹²		1
Link Distance (SMF)	D1	2		500	m	2

Notes:

1. FEC provided by host system.
2. FEC required on host system to support maximum distance.

3. Electrical Characteristics

The following electrical characteristics are defined over the Recommended Operating Environment unless otherwise specified.

Parameter	Test Point	Min	Typical	Max	Units	Notes
Power Consumption				12.0	W	
Supply Current	I _{CC}			3.83	A	
Module Input (each Lane)						
Signaling Rate, each Lane	TP1	53.125 ± 100 ppm			GBd	
Differential pk-pk voltage tolerance	TP1a	750			mV	

Peak-to-peak AC common-mode voltage tolerance Low-frequency, $V_{CM_{LF}}$ Full-band, $V_{CM_{FB}}$	TP1a	32 80			mV	
Differential-mode to common-mode return loss, RL_{cd}	TP1	IEEE 802.3ck Equation (120G-2)			dB	
Effective return loss, ERL	TP1	8.5			dB	
Differential termination mismatch	TP1			10	%	
Module stressed input tolerance	TP1a	IEEE802.3ck 120G.3.4.3				
Single-ended voltage tolerance range	TP1a	-0.4 to 3.3			V	
DC common-mode voltage tolerance Upper limit Lower limit	TP1		2.85 -0.35		V V	
Signaling Rate, each lane	TP4	53.125 ± 100 ppm			GBd	
Peak-to-peak AC common-mode voltage Low-frequency, $V_{CM_{LF}}$ Full-band, $V_{CM_{FB}}$	TP4			32 80	mV	
Differential peak-to-peak output voltage Short mode Long mode	TP4			600 845	mV mV	
Eye height	TP4	15			mV	
Vertical eye closure, VEC	TP4			12	dB	
Common-mode to differential-mode return loss, RL_{dc}	TP4	IEEE802.3ck Equation (120G-1)			dB	
Effective return loss, ERL	TP4	8.5			dB	
Differential termination mismatch	TP4			10	%	

Transition time	TP4	8.5			ps	
DC common-mode voltage tolerance	TP4					
Upper limit			2.85		V	
Lower limit			-0.35		V	

4. Optical Characteristics

Parameter	Symbol	Min	Typical	Max	Units	Notes
Transmitter						
Signaling rate, each lane		53.125 ± 100 ppm			GBd	
Modulation format		PAM4				
Wavelength	λ	1304.5		1317.5	nm	
Side-mode suppression ratio	SMSR	30			dB	
Average launch power, each lane	P_{AVG}	-2.9		4	dBm	1
Outer optical modulation amplitude (OMA_{outer}), each lane	P_{OMA}	-0.8		4.2	dBm	2
Transmitter and dispersion eye closure for PAM4 (TDECQ), each lane	TDECQ			3.4	dB	
Launch power in OMA_{outer} minus TDECQ, each lane		-2.2			dB	
Average launch power of OFF transmitter, each lane	P_{off}			-15	dBm	
Extinction ratio, each lane	ER	3.5			dB	
$RIN_{21.4}$ OMA	RIN			-136	dB/Hz	
Optical return loss tolerance	TOL			21.4	dB	
Transmitter reflectance				-26	dB	3
Receiver						
Signaling rate, each lane		53.125 ± 100 ppm			GBd	

Modulation format		PAM4				
Center wavelength	λ	1304.5		1317.5	nm	
Damage Threshold, each lane	TH _d	5			dBm	4
Average receive power, each lane		-5.9		4	dBm	5
Receive power (OMA _{outer}), each lane				4.2	dBm	
Receiver reflectance				-26	dB	
Receiver sensitivity (OMA _{outer}), each lane	SEN			-4.4	dBm	6
Stressed receiver sensitivity (OMA _{outer}), each lane	SRS			-1.9	dBm	7
Conditions of Stress Receiver Sensitivity Test (Note 8)						
Stressed eye closure for PAM4 (SECQ), lane under test			3.4		dB	
OMA _{outer} of each aggressor lane			4.2		dBm	

Notes:

1. Average launch power, each lane (min) is informative and not the principal indicator of signal strength. A transmitter with launch power below this value cannot be compliant; however, a value above this does not ensure compliance.
2. Even if the TDECQ < 1.4 dB, the OMA_{outer} (min) must exceed these values.
3. Transmitter reflectance is defined looking into the transmitter.
4. The receiver shall be able to tolerate, without damage, continuous exposure to an optical input signal having this average power level. The receiver does not have to operate correctly at this input power.
5. Average receive power, each lane (min) is informative and not the principal indicator of signal strength. A received power below this value cannot be compliant; however, a value above this does not ensure compliance.
6. Receiver sensitivity (OMA_{outer}), each lane (max) is informative and is defined for a transmitter with SECQ of 0.9 dB.
7. Measured with conformance test signal for BER = 2.4x10⁻⁴.
8. These test conditions are for measuring stressed receiver sensitivity. They are not characteristics of the receiver.

5. Digital Diagnostic Specifications

The following digital diagnostic characteristics are defined over the normal operating conditions unless otherwise specified.

Parameter	Symbol	Min	Max	Units	Notes
Temperature monitor absolute error	DMI_Temp	-3	3	degC	Over operating temperature range
Supply voltage monitor absolute error	DMI_VCC	-0.1	0.1	V	Overfull operating range
Channel RX power monitor absolute error	DMI_RX_Ch	-2	2	dB	1
Channel Bias current monitor	DMI_Ibias_Ch	-10%	10%	mA	
Channel TX power monitor absolute error	DMI_TX_Ch	-2	2	dB	1

Notes:

1. Due to measurement accuracy of different single mode fibers, there could be an additional +/- 1 dB fluctuation, or a +/- 3 dB total accuracy.

VII、Mechanical Drawing

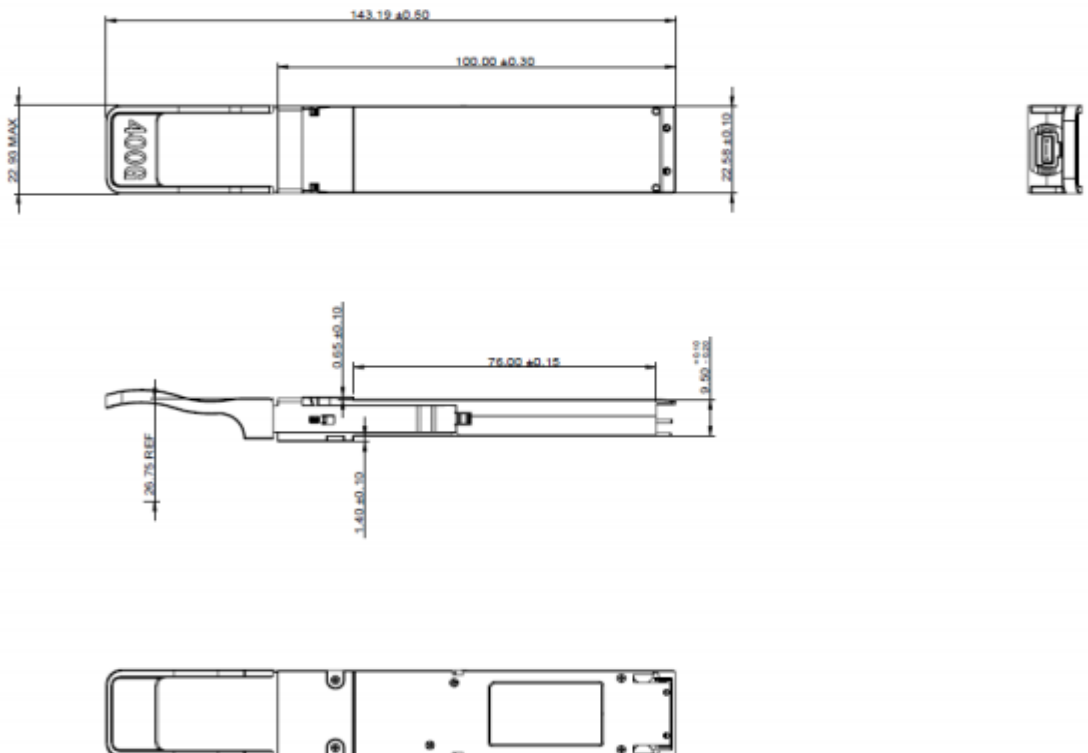


Figure 6. Mechanical Outline

VIII、 ESD

This transceiver is specified as ESD threshold 1kV for high speed data pins and 2kV for all other electrical input pins, tested per MIL-STD-883, Method 3015.4 /JESD22-A114-A (HBM). However, normal ESD precautions are still required during the handling of this module. This transceiver is shipped in ESD protective packaging. It should be removed from the packaging and handled only in an ESD protected environment.

IX、 Laser safety

This is a Class I Laser Product, or Class 1 Laser Product according to IEC/EN 60825-1:2014.

This product complies with 21 CFR 1040.10 and 1040.11 except for conformance with IEC 60825 -1 Ed. 3., as described in Laser Notice No. 56,dated May 8, 2019.

Caution: Use of controls or adjustments or performance of procedures other than those specified herein may result in hazardous radiation exposure.

X、 Revision History

Version No.	Date	Description
1.0	Aug 15, 2023	Preliminary datasheet

Company: ETU-Link Technology Co., LTD

Address: Right side of 3rd floor, No. 102 building, Longguan expressway, Dalang street, Longhua District, Shenzhen city, GuangDong Province,China 518109

Tel: +86-755 2328 4603

Addresses and phone number also have been listed at www.etulinktechnology.com.

Please e-mail us at sales@etulinktechnology.com or call us for assistance